



INSTALLATION INSTRUCTIONS

Accessory
STEERING WHEEL TRIM

Application
2011 PILOT

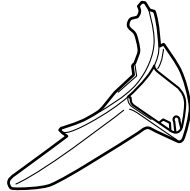
Publications No.
All 43337

Issue Date
MARCH 2010

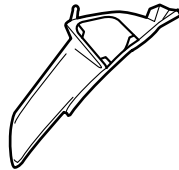
PARTS LIST

Steering Wheel Trim (With Cruise and Audio)
P/N 08Z13-SZA-130B (Chocolate)
P/N 08Z13-SZA-140B (Brown)

Right Steering wheel trim



Left Steering wheel trim

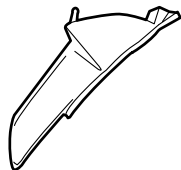


2 Torx bolts

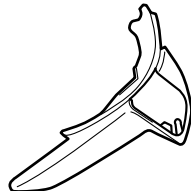


Steering Wheel Trim (With Cruise)
P/N 08Z13-SZA-130A (Chocolate)
P/N 08Z13-SZA-140A (Brown)

Right Steering wheel trim



Left Steering wheel trim

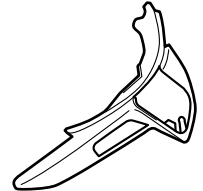


2 Torx bolts

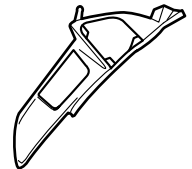


Steering Wheel Trim (With Cruise, Audio, Multi and Navigation)
P/N 08Z13-SZA-130C (Chocolate)
P/N 08Z13-SZA-140C (Brown)

Right Steering wheel trim



Left Steering wheel trim



2 Torx bolts



TOOLS REQUIRED

- Phillips screwdriver
- Flat-tip screwdriver
- 14 mm T-handle wrench
- Torque wrench
- 14 mm Socket wrench
- Steering wheel puller
- T30 Torx bit

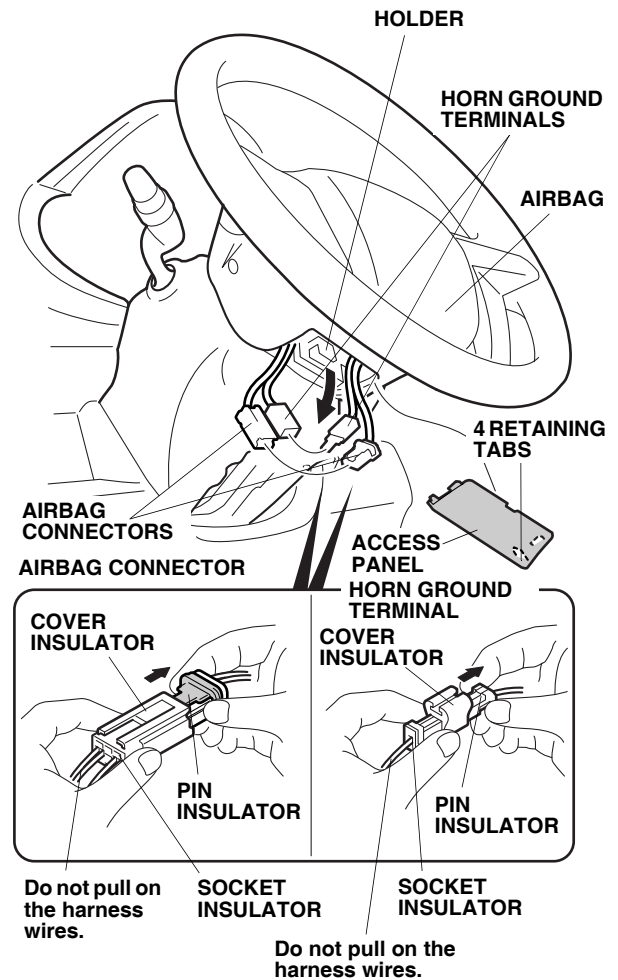
INSTALLATION

Customer Information: The information in this installation instruction is intended for use only by skilled technicians who have the proper tools, equipment, and training to correctly and safely add equipment to your vehicle. These procedures should not be attempted by “do-it-yourselfers.”

NOTE: Observe all safety notes and precautions described in the service manual in addition to those described in this installation instruction

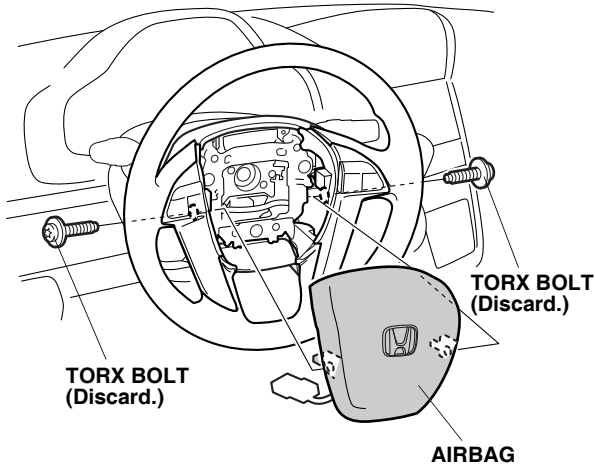
1. Make sure you have the anti-theft codes for the radio and navigation system, then write down the radio presets.

2. Disconnect the negative cable from the battery, and wait for at least 3 minutes before you start to install the steering wheel trim.
3. Pry up on the four retaining tabs, and remove the access panel.

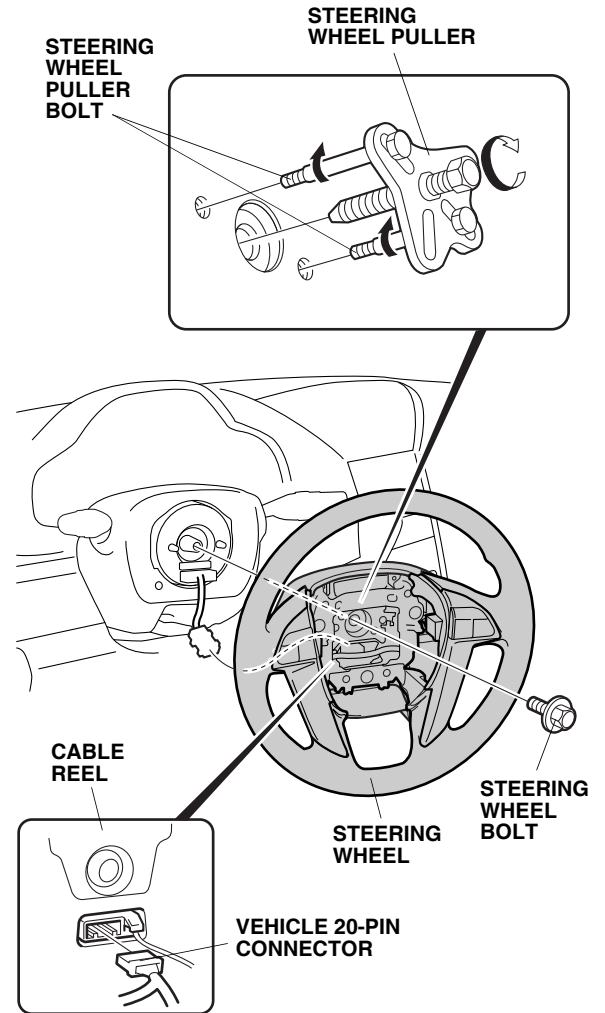


4. Remove the horn ground terminals and the airbag connectors from the holder. Unplug the horn ground terminals and the airbag connectors by holding the pin insulator and pulling out on the cover insulator. Do not pull on the socket insulator and harness wires.

5. Remove and discard the two Torx bolts that secure the airbag, and remove the airbag. Carefully set the airbag in a secure location with the pad facing up. Do not drop or bump the airbag against anything.

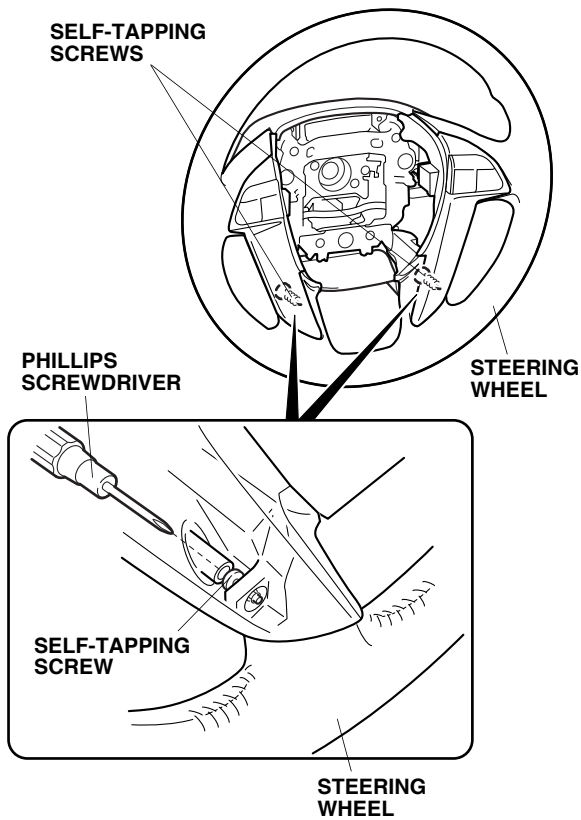


6. Turn the steering wheel so the front wheels are in the straight-ahead position. Mark the steering wheel position.

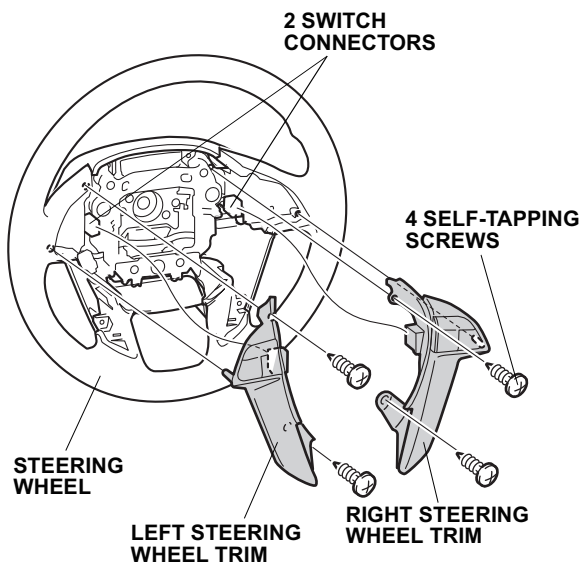


7. Remove the steering wheel bolt. Unplug the vehicle 20-pin connector from the cable reel. Using a steering wheel puller, remove the steering wheel. Do not thread the steering wheel puller bolts in more than 10 mm.

- Loosen the two self-tapping screws in the steering wheel.



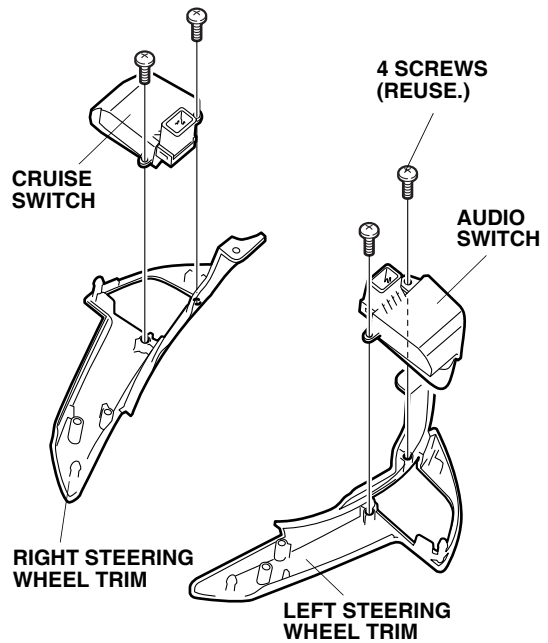
- Remove the four self-tapping screws that fasten the left steering wheel trim and right steering wheel trim from the steering wheel and unplug the two switch connectors. Remove the steering wheel trim from the steering wheel.



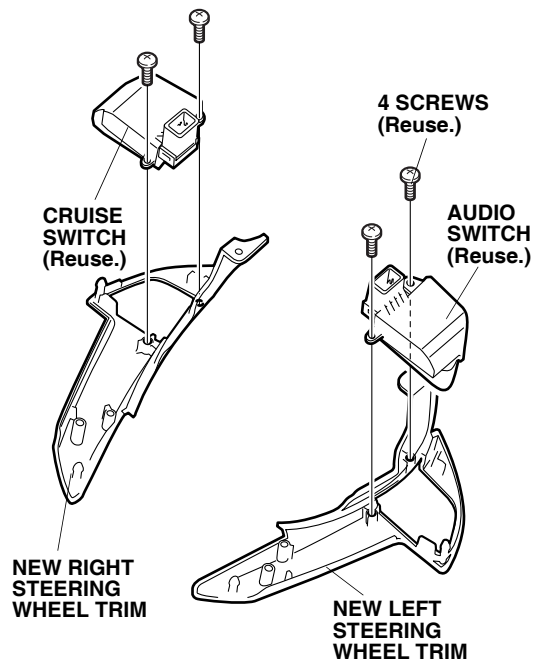
For vehicles with CRUISE and AUDIO switches, continue with step 10. For vehicles with a CRUISE switch, go to step 12. For vehicles with CRUISE, AUDIO, MULTI and NAVI switches, go to step 14.

With CRUISE and AUDIO switches

- Remove the four screws that fasten the CRUISE and AUDIO switches from the left steering wheel trim and right steering wheel trim and remove the CRUISE and AUDIO switches.

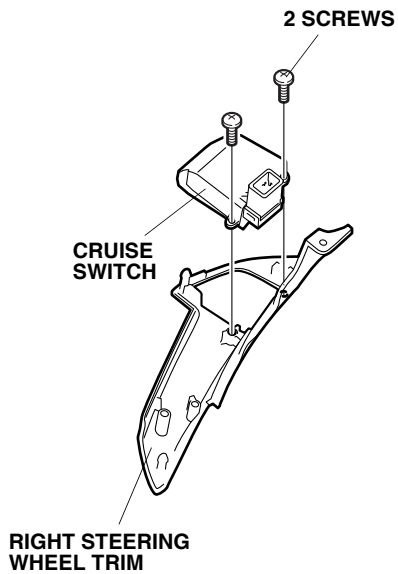


- Install the CRUISE and AUDIO switches to the new left steering wheel trim and new right steering wheel trim with the four screws (reuse). Go to step 16.

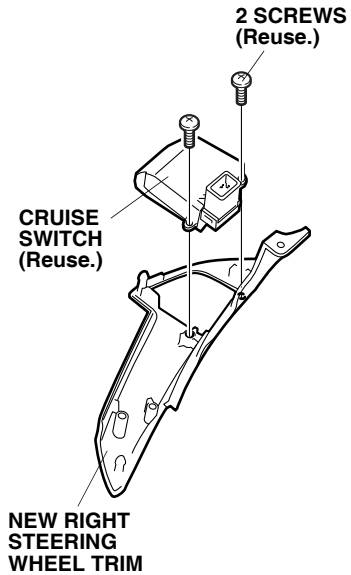


With CRUISE switch

12. Remove the two screws that fasten the CRUISE switch from the right steering wheel trim and remove the CRUISE switch.

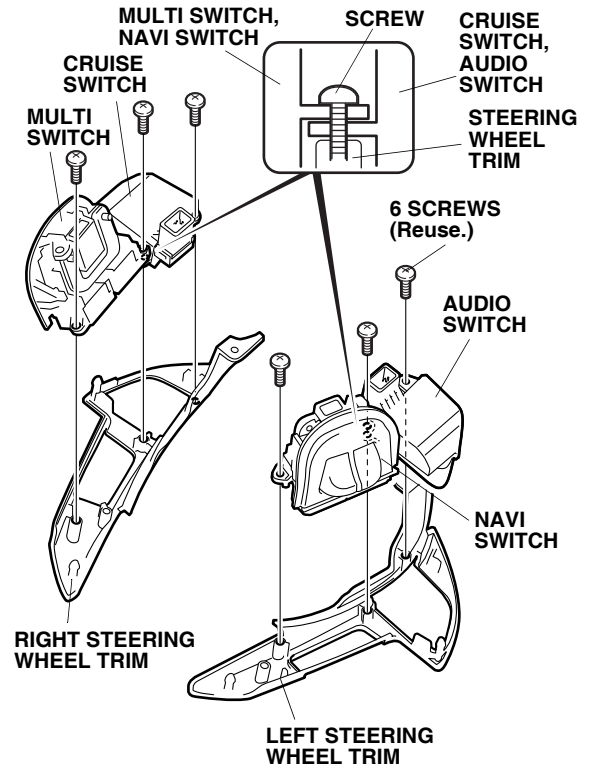


13. Install the CRUISE switch to the new right steering wheel trim with the two screws (reuse). Go to step 16.

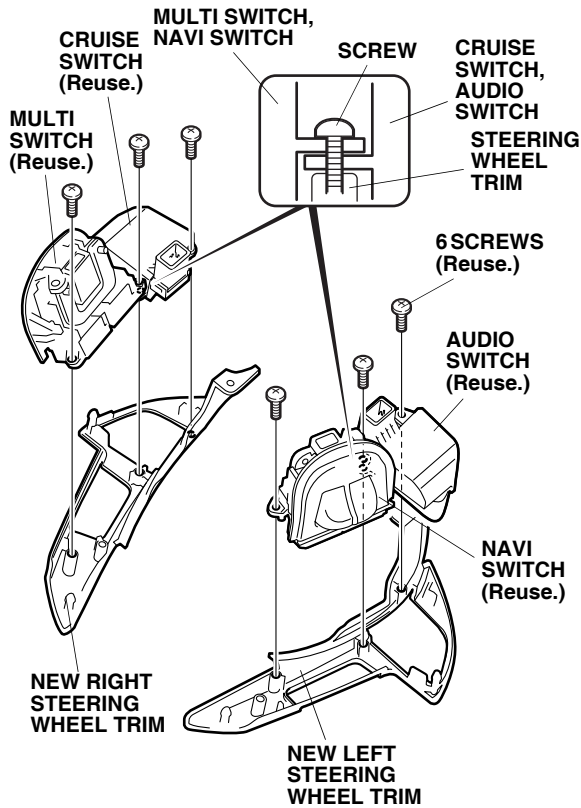


With CRUISE, AUDIO, MULTI, and NAVI switches

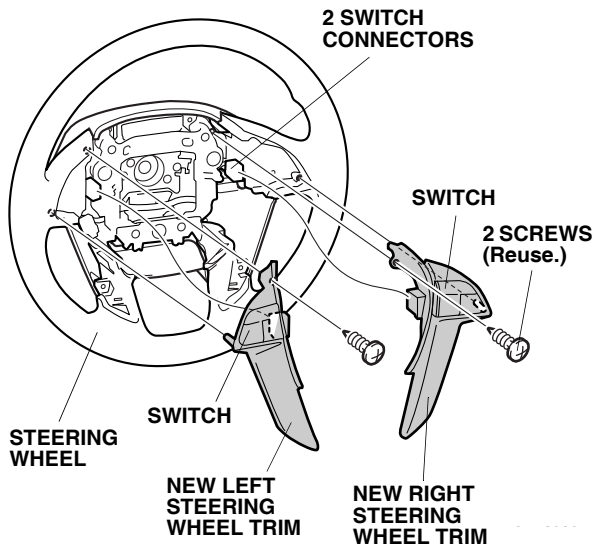
14. Remove the six screws that fasten the CRUISE, AUDIO, MULTI, and NAVI switches from the left steering wheel trim and right steering wheel trim and remove the CRUISE, AUDIO, MULTI, and NAVI switches.



15. Install the CRUISE, AUDIO, MULTI, and NAVI switches to the new left steering wheel trim and new right steering wheel trim with the six screws (reuse).

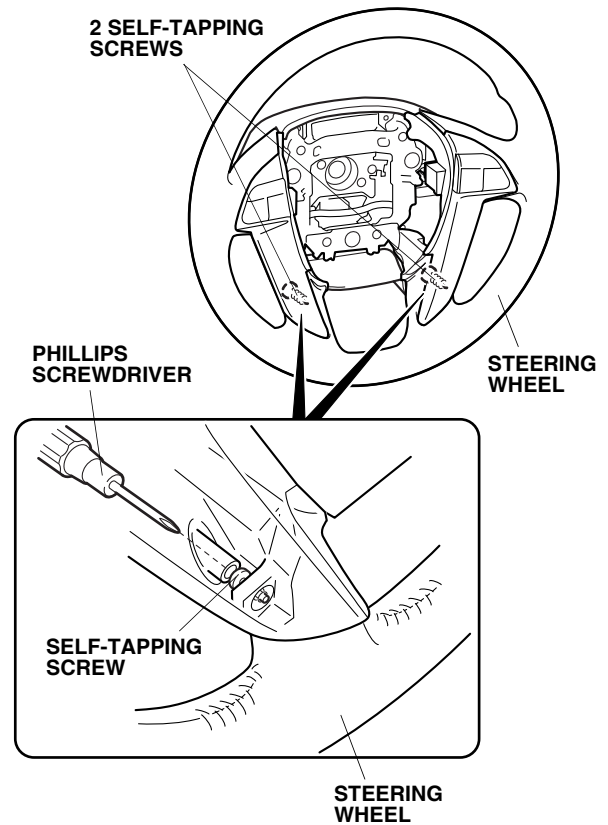


16. Plug the two switch connectors to the two switches.



17. Install the new left steering wheel trim and new right steering wheel trim to the steering wheel with the two screws (reuse).

18. Tighten the two self-tapping screws in the steering wheel.

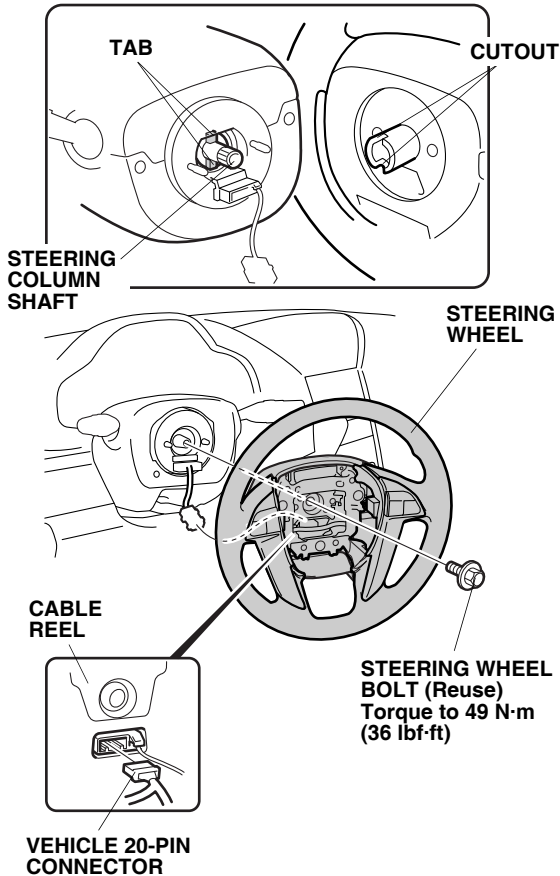


19. Test all switches to make sure they are free from binding.

If the cable reel was not moved, go to step 21; if it was moved, continue with step 20.

20. Align the cable reel:

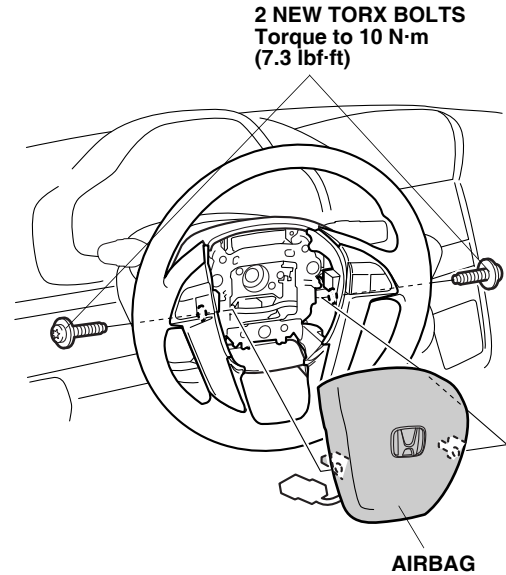
- Rotate the cable reel clockwise until it stops.
- Turn the cable reel counterclockwise about three complete turns until the "TOP" arrow on the cable reel points up.



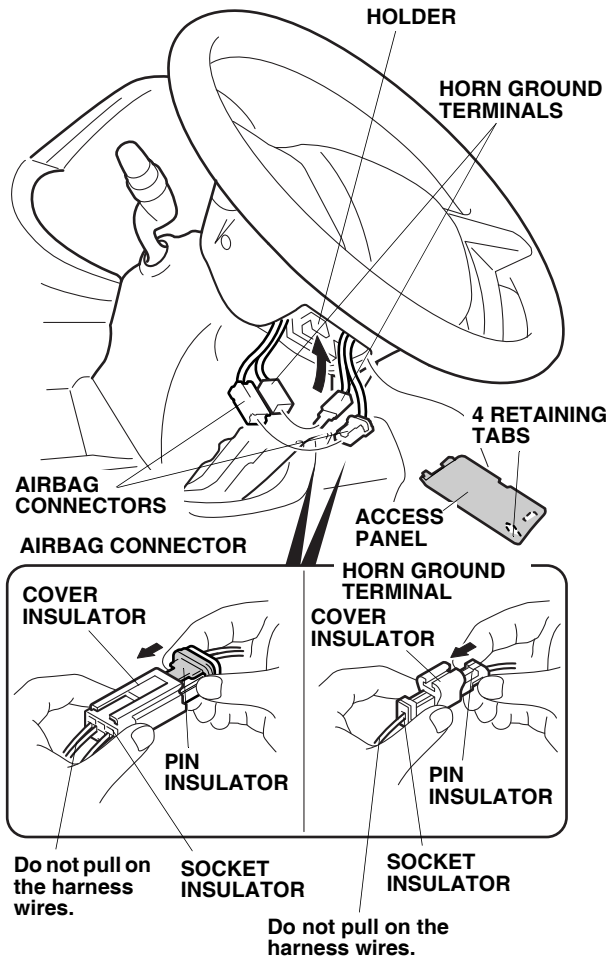
21. Install the steering wheel on the steering column shaft in the straight-ahead position:
- Route the wire harness through the opening in the steering wheel.
 - Align the two tabs of the cancelling sleeve with the two cutouts in the steering wheel as shown.
 - Check that the wire harness is not pinched.
22. Install the steering wheel bolt. Torque the steering wheel nut to 49 N·m (36 lbf·ft).
23. Plug the 20-pin connectors.

24. Reinstall the airbag, and route the airbag harness and horn harness down through the steering wheel. Position the airbag on the steering wheel, and install the two new torx bolts supplied. Torque the Torx bolts to 10 N·m (7.3 lbf·ft).

Check that the wire harness is not pinched.



25. Reconnect the horn ground terminals, and attach the terminals to the holder.



26. Reconnect the airbag harness connectors:
- Push the socket insulator onto the pin insulator until it contacts the tab on the pin insulator.
 - Do not push the socket insulator onto the pin insulator by pushing on the cover insulator.
 - Continue pushing on the socket insulator in the same direction until the cover insulator rides over the tab on the pin insulator and is locked securely.
 - Reinstall the airbag harness connectors to the holder on the cord guide.
27. Reinstall the access panel.

28. Reconnect the negative cable to the battery.
29. Make sure the steering wheel is in the straight-ahead position with the front wheels. If the spoke angle of the steering wheel is not in the straight-ahead position with the front wheels, adjust the front toe as described in the service manual.
30. Verify that the horn works.
31. Turn the ignition key on, and verify that the SRS warning light comes on and stays on for 6 seconds; turn the key off to make sure the SRS warning light goes off.
32. Enter the anti-theft code for the radio and the navigation system, then reset the customer's radio presets.
33. Reset the clock.